



BULLWORTHY

THE GARAGE EQUIPMENT SPECIALISTS

PLAIN PLATFORM / WHEEL ALIGNMENT

SCISSOR LIFTS

635, 640, 650, 660

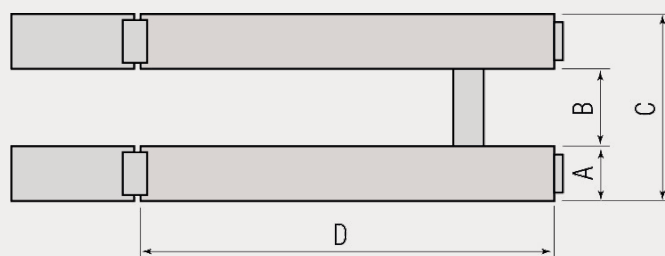
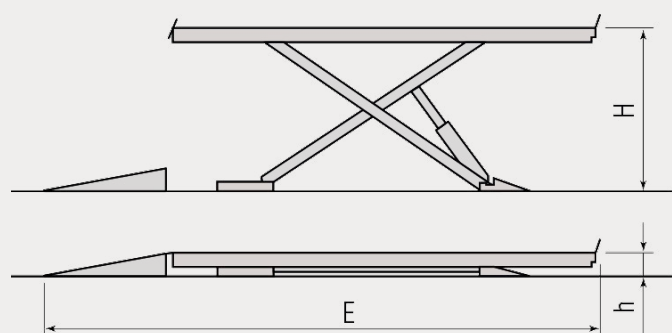


TTECHNIQUE

TECHNIQUE Plain Platform Scissor Lifts

The Technique range of plain platform scissor lifts are available in many variants and can be easily customised to meet your requirements.

- Strong, sturdy construction.
- Variable platform lengths from 4600mm to 5500mm.
- Available in 3.5, 4.2, 5.0 and 6.0 tonne capacities.
- Available as recessed or surface mounted lift.



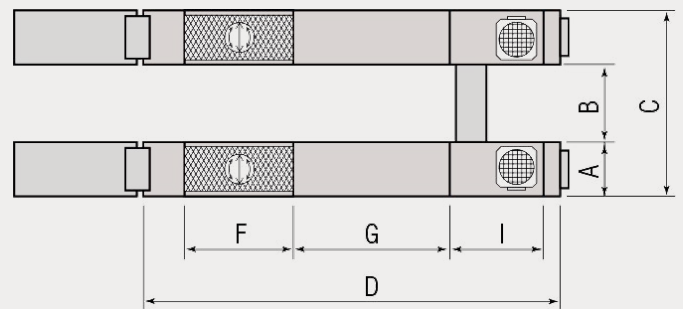
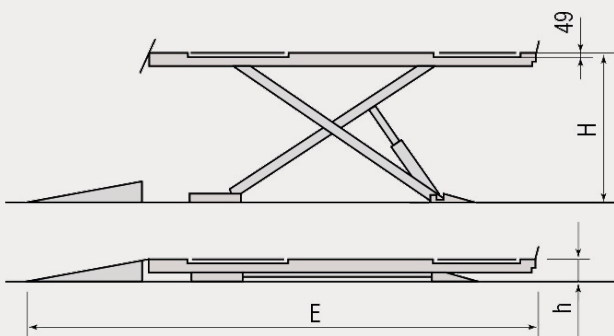
MODEL	PLATFORM WIDTH (A)	PLATFORM SPACING (B)	TOTAL WIDTH (C)	PLATFORM LENGTH (D)	TOTAL LENGTH (E)	DEPTH (h)	TOTAL HEIGHT (H)	CAPACITY
635.1	615mm	870mm	2100mm	4600mm	6110 x 6130mm	270mm	1850mm	3500kg
635.1 I	615mm	870mm	2100mm	4600mm	6110 x 6130mm	270mm	2085mm	3500kg
635.1 SI	615mm	870mm	2100mm	4600mm	6110 x 6130mm	300mm	1880mm	3500kg
635.1 ISI	615mm	870mm	2100mm	4600mm	6110 x 6130mm	300mm	2115mm	3500kg
640.1	615mm	870mm	2100mm	4600mm	6110 x 6130mm	270mm	1850mm	4200kg
640.1 I	615mm	870mm	2100mm	4600mm	6110 x 6130mm	270mm	2085mm	4200kg
640.1 SI	615mm	870mm	2100mm	4600mm	6110 x 6130mm	300mm	1800mm	4200kg
640.1 ISI	615mm	870mm	2100mm	4600mm	6110 x 6130mm	300mm	2115mm	4200kg
650.1.55	650mm	900mm	2200mm	5500mm	7015 x 7015mm	270mm	1850mm	5000kg
650.1.55 I	650mm	900mm	2200mm	5500mm	7015 x 7015mm	270mm	2070mm	5000kg
650.1.55 SI	650mm	900mm	2200mm	5500mm	7015 x 7015mm	300mm	1880mm	5000kg
650.1.55 ISI	650mm	900mm	2200mm	5500mm	7015 x 7015mm	300mm	2100mm	5000kg
660.1.55	650mm	900mm	2200mm	5500mm	7015 x 7015mm	270mm	1850mm	6000kg
660.1.55 I	650mm	900mm	2200mm	5500mm	7015 x 7015mm	270mm	2070mm	6000kg
660.1.55 SI	650mm	900mm	2200mm	5500mm	7015 x 7015mm	300mm	1880mm	6000kg
660.1.55 ISI	650mm	900mm	2200mm	5500mm	7015 x 7015mm	300mm	2100mm	6000kg

I = Recessed version / SI = Integral scissor version.

TECHNIQUE Wheel Alignment Scissor Lifts

The Technique range of wheel alignment scissor lifts include rear integrated slip plates and a basic bearing mounted turn plate kit.

- Strong, sturdy construction.
- Variable platform lengths from 4600mm to 5500mm.
- Available in 3.5, 4.2, 5.0 and 6.0 tonne capacities.
- Available as recessed or surface mounted lift.

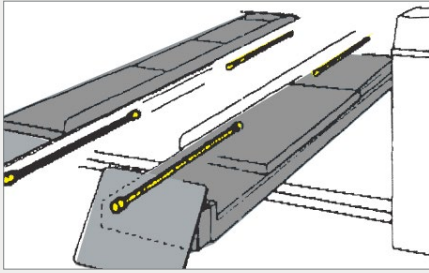


MODEL	PLATFORM WIDTH (A)	PLATFORM SPACING (B)	TOTAL WIDTH (C)	PLATFORM LENGTH (D)	TOTAL LENGTH (E)	DEPTH (h)	TOTAL HEIGHT (H)	CAPACITY
635.2	615mm	870mm	2100mm	4600mm	6110 x 6130mm	300mm	1850mm	3500kg
635.2 I	615mm	870mm	2100mm	4600mm	6110 x 6130mm	300mm	2085mm	3500kg
635.2 SI	615mm	870mm	2100mm	4600mm	6110 x 6130mm	300mm	1880mm	3500kg
635.2 ISI	615mm	870mm	2100mm	4600mm	6110 x 6130mm	300mm	2115mm	3500kg
640.2	615mm	870mm	2100mm	4600mm	6110 x 6130mm	300mm	1850mm	4200kg
640.2 I	615mm	870mm	2100mm	4600mm	6110 x 6130mm	300mm	2085mm	4200kg
640.2 SI	615mm	870mm	2100mm	4600mm	6110 x 6130mm	300mm	1800mm	4200kg
640.2 ISI	615mm	870mm	2100mm	4600mm	6110 x 6130mm	300mm	2115mm	4200kg
650.2.55	650mm	900mm	2200mm	5500mm	7015 x 7015mm	300mm	1850mm	5000kg
650.2.55 I	650mm	900mm	2200mm	5500mm	7015 x 7015mm	300mm	2070mm	5000kg
650.2.55 SI	650mm	900mm	2200mm	5500mm	7015 x 7015mm	300mm	1880mm	5000kg
650.2.55 ISI	650mm	900mm	2200mm	5500mm	7015 x 7015mm	300mm	2100mm	5000kg
660.2.55	650mm	900mm	2200mm	5500mm	7015 x 7015mm	300mm	1850mm	6000kg
660.2.55 I	650mm	900mm	2200mm	5500mm	7015 x 7015mm	300mm	2070mm	6000kg
660.2.55 SI	650mm	900mm	2200mm	5500mm	7015 x 7015mm	300mm	1880mm	6000kg
660.2.55 ISI	650mm	900mm	2200mm	5500mm	7015 x 7015mm	300mm	2100mm	6000kg

I = Recessed version / SI = Integral scissor version.

Optional Extras:

Optional extras for plain platform and wheel alignment scissor lifts.



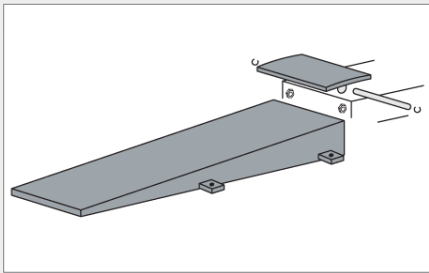
Lighting kit.



Turn plate spacers.



Power unit cover.



Longer run on ramps.



Jacking beam.

